

The UNIBLITZ® LS series shutters are especially well suited for laser use, with applications including low level chopping, pulse gating, selection, and modulation to 400Hz. Precision exposure control in the areas of holography and photography are additional applications that benefit from the precise, repeatable characteristics of the LS shutter series.

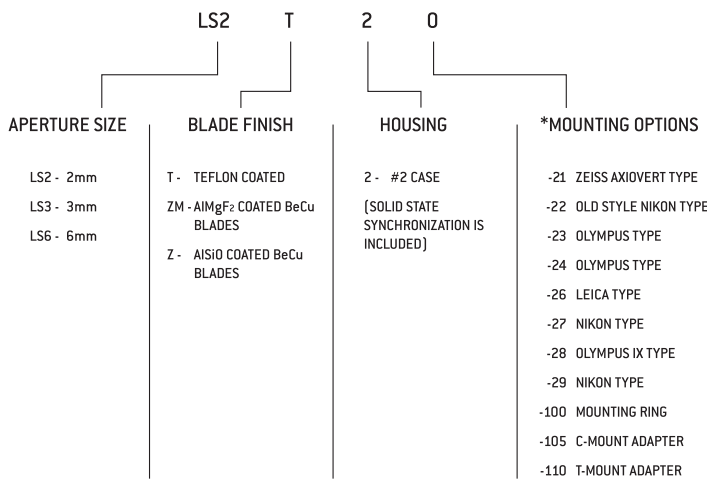
The LS shutter series is comprised of three models. The model LS2 features a 2mm aperture, with a typical rise time of 300μsec. The LS3 and LS6 models feature a 3mm and 6mm aperture, respectively. All three styles are offered mounted in a black anodized aluminum housing, and are equipped with the solid state synchronization system. In addition to the standard housing illustrated on the opposite side, several customized microscope and video mounts are available as options for use with this series. Additional information can be found in the data sheet entitled "MICROSCOPE & VIDEO MOUNTING SYSTEMS."

## FEATURES

- Three aperture sizes available
  - 2mm diameter - Model LS2
  - 3mm diameter - Model LS3
  - 6mm diameter - Model LS6
- Laser energy ratings up to 5W/mm<sup>2</sup>
- Exposure repetition rates from DC - 400Hz
- Solid state synchronization system included

## HOW TO ORDER

LS Series Shutters Part Numbering System



\* SEE "MICROSCOPE AND VIDEO MOUNTING SYSTEMS" DATA SHEET FOR ADDITIONAL INFORMATION AND OUTLINE DRAWINGS (MUST BE ORDERED WITH #2 HOUSING OPTION).

For additional Timing and Operational information, see "Shutter Products-General Specification Sheet." See LS2/3/6 shutter outline drawings shown on the opposite side of this sheet.



## #2 CASE STYLE

The LS #2 case style allows a number of mounting configurations. A 1/4-20 threaded hole is provided for post mounting. The 1.625 in x 40TPI external thread, rear side, and the six 2-56 threaded holes, front side, can be interfaced directly into your application or fitted with a variety of specific mounting options. See "MICROSCOPE & VIDEO MOUNTING SYSTEMS" data sheet for additional information. The unit terminates with a 7-pin male connector.

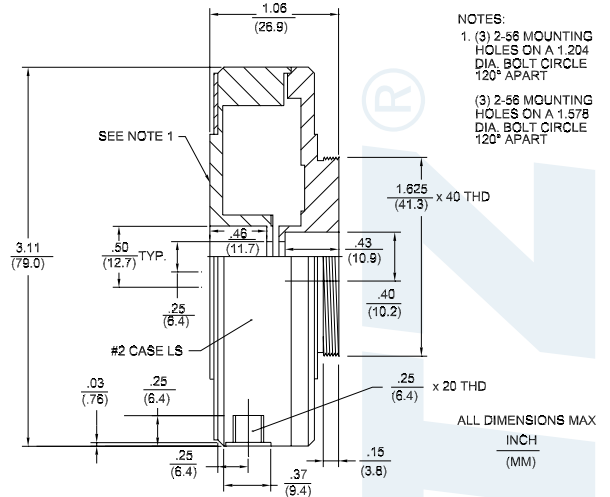


Figure 1

## CASE/CONNECTOR LAYOUT

This drawing illustrates 7-pin connector and 1/4-20 threaded hole layout for the LS2/3/6 series #2 case style.

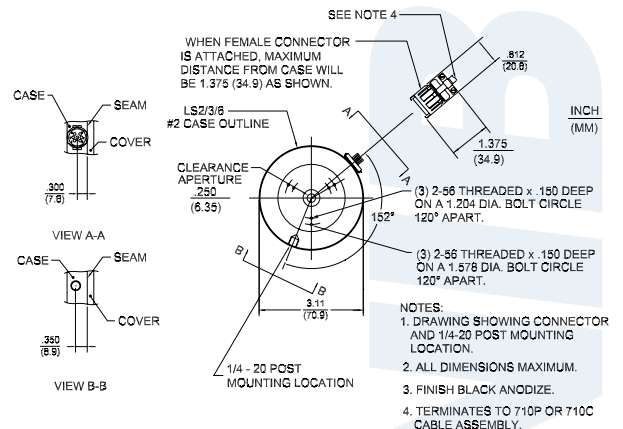


Figure 2