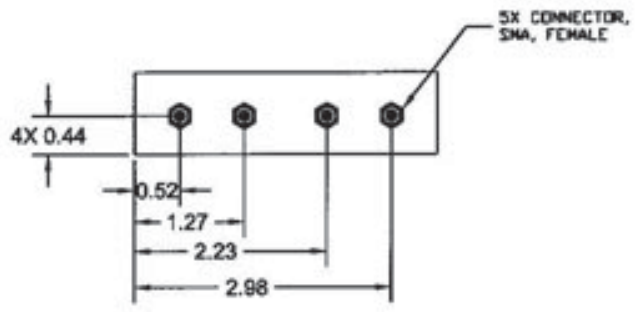
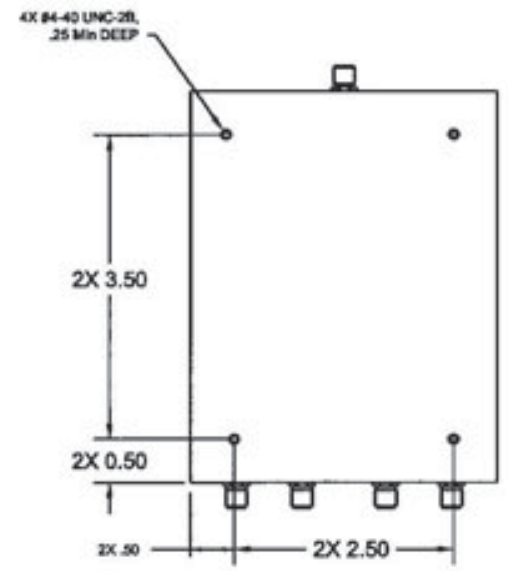
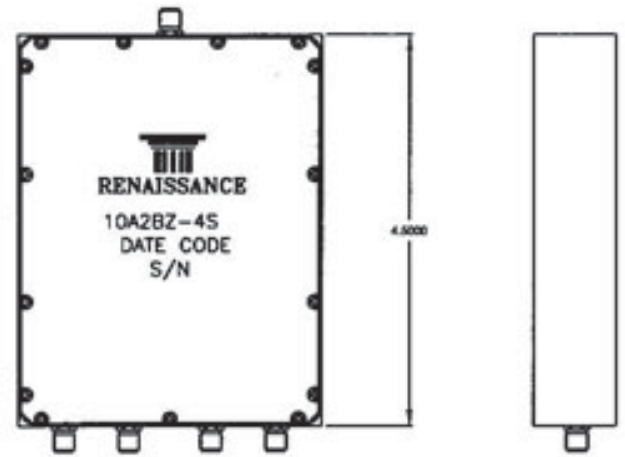
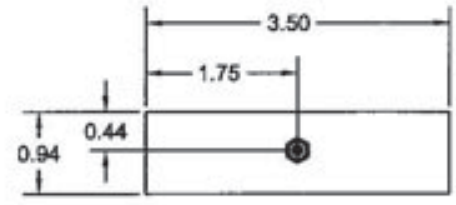


4 Way Power Combiner/Divider

THIS DRAWING IS THE SOLE PROPERTY OF REC AND SHALL NOT BE COPIED OR REPRODUCED IN ANY FORM WHATSOEVER. THE CONTENTS ARE FOR THE PURPOSES ONLY OF QUOTATION TO OR MANUFACTURE FOR REC AND SHALL NOT BE USED AS A BASIS FOR QUOTATION TO OR MANUFACTURE FOR OTHER. THIS DRAWING SHALL BE RETURNED WITH QUOTATION OR AT TERMINATION OF MANUFACTURING CONTRACT OR ON DEMAND OF REC WHICHEVER IS FIRST.

REVISIONS					
ZONE	REV.	ECO	DESCRIPTION	DATE	APPROVED
*	A	*	DRAWING INITIATED	05/06/08	*



ELECTRICAL CHARACTERISTICS:	
FREQUENCY RANGE	400 - 500 MHz
INSERTION LOSS	6.5 dB (INCLUDING SPLIT LOSS)
VSWR	1.25:1 MAX ALL PORTS
TIME DELAY	750 ±0.01 nSEC
AMPLITUDE BALANCE	0.2 dB MAX
ISOLATION	20dB MIN
INPUT POWER/CHANNEL	50W ANY PHASE
OPERATING TEMP	-40 TO 85°C

Renaissance Electronics Corporation
sales@rec-usa.com 978-772-7774

DIMENSIONS ARE IN INCHES UNLESS OTHERWISE SPECIFIED		DRAWN	DATE	BY
TOLERANCES ON:		CHECKED		
DECIMALS	ANGLES	ENG APPR.		
X ±0.01	±1/2°	MFG APPR.		
XX ±0.01		REC SPECIFICATION #		
XXX ±0.005		FILE NAME		
UNLESS OTHERWISE SPECIFIED	USED ON	USED ON	USED ON	
Ø ALL OVER				
NOTE: THIS DWG INCORPORATES THIRD ANGLE PROJECTION	CUSTOMER SPEC.			
	MATERIAL:			
	FINISH:			
	WEIGHT:			
	PATH: YCAD/DRAWING			
	SCALE: 1:1			

TITLE: 4 WAY POWER DIVIDER COMBINER
 REV: A
 SHEET 1 OF 1